

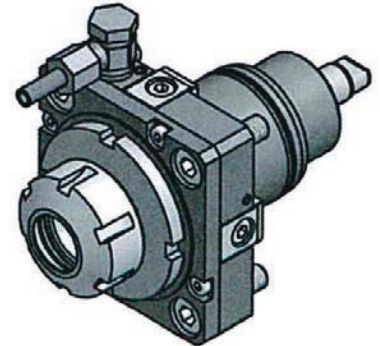
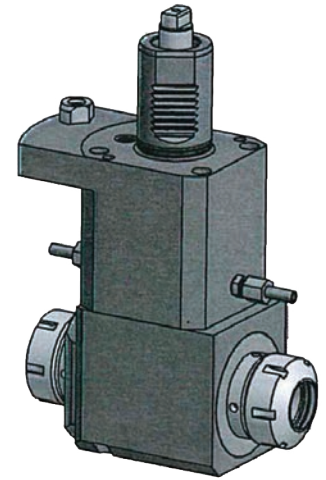


# Driven Tool Repair

Hammond and Command / EWS offer a repair program for common brands of driven tools for lathes and Swiss machines.

Simply send your worn-out or damaged driven rotary tooling to Hammond or have one of our representatives pick it up.

We will provide an estimate ★ for the repair and get your approval before proceeding.



★ Estimate includes a \$50 non-refundable evaluation fee; which will be waived if the repair is ordered.



3601 29<sup>th</sup> Avenue NE | Minneapolis, MN 55418  
800-842-2679 | 612-781-7441  
WalterHammond.com  
sales@walterhammond.com